

protec

MAGNETIC DOOR HOLDER

The attractive, practical solution
to stabilising bi-fold doors



protec

MAGNETIC DOOR HOLDER

Designed specifically for the Bi-folding door, the Protec Door Holders are intended to offer an important technical solution while being aesthetically pleasing and minimising its visual impact. Our simple magnetic door holders allow you to connect the swing/pass door to the adjacent panel, allowing it to stay in an open position and creating a stable set of doors when all panels move and are stacked.

The Protec Door Holder has a wide range of benefits when installed:

- Stabilises doors while folding
- Stability reduces undue pressure on the hardware
- Extends the longevity of the doors,
- Increases safety of the door,
- Holds doors back when open,
- Accommodates various handle sizes,
- Ease of Use,
- Visually minimalistic

Features

- 61mm door holder has fixing plates set at 2 degree angles
- A resilient polyurethane translucent pad cushions impact whilst also protecting surfaces from contact damage
- Central fixing point with an additional anti-rotation grub screw
- Backplate design allows for rivet nut fixing if required, Ideal for chamber systems
- Engineered from die cast Zinc
- Full instructions are included with each item along with a fixing pack

Ideal for Light to Medium duty doors. For heavy duty doors please see our Heavy Duty Door Holder

Available Finishes



Matt Black



Matt Grey



White Gloss

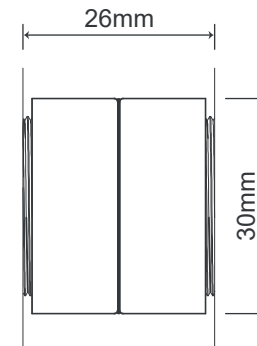


Polished
Chrome

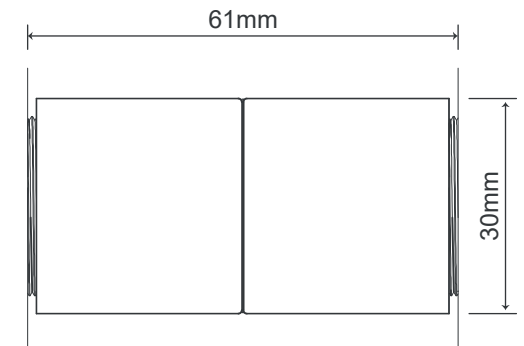


Brushed Satin
Chrome

Technical Specifications



Code DBPC-01
26mm for flat handles
or doors without a handle



Code DBPC-02
61mm for Lever/Lever handles

